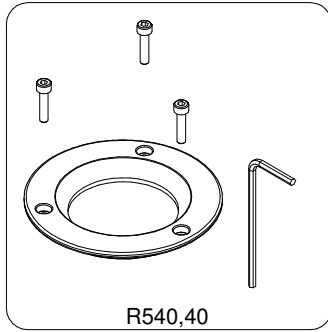


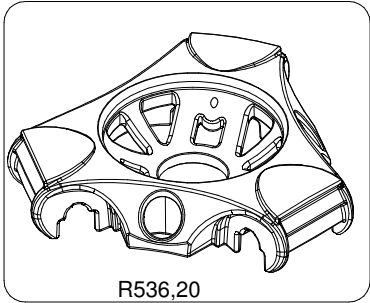


ART. 536

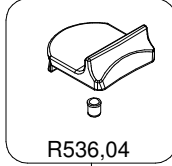
For serial number
from A1248001



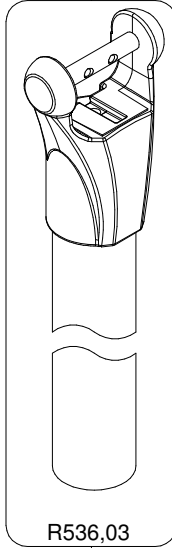
R540,40



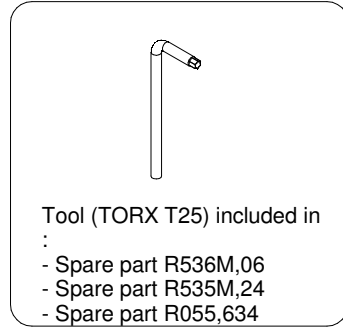
R536,20



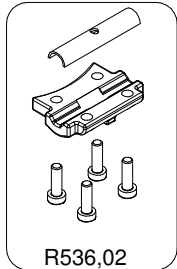
R536,04



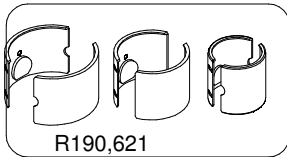
R536,03



Tool (TORX T25) included in
:
- Spare part R536M,06
- Spare part R535M,24
- Spare part R055,634

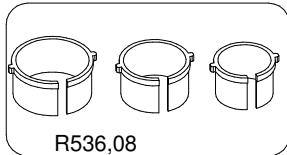


R536,02



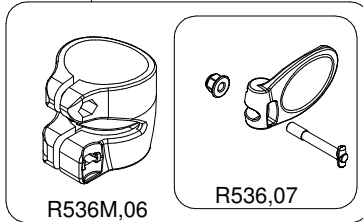
R190,621

TO BE MOUNTED
ON TUBES



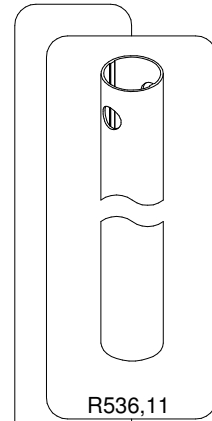
R536,08

TO BE MOUNTED
ON TUBES

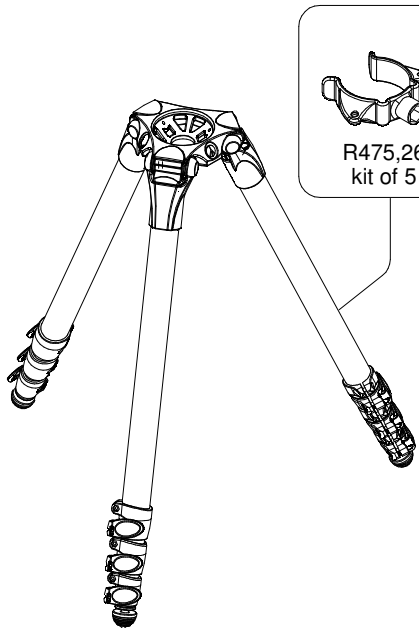


R536M,06

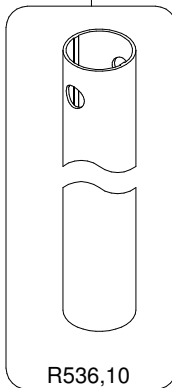
R536,07



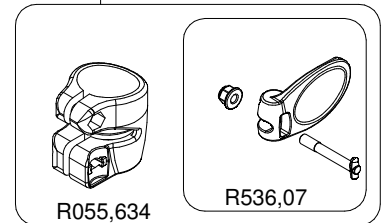
R536,11



R475,26
kit of 5

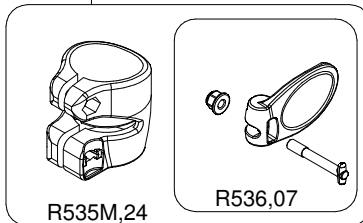


R536,10



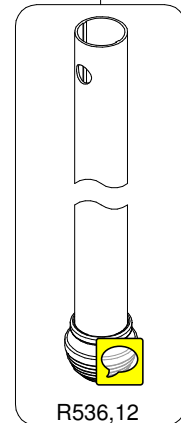
R055,634

R536,07



R535M,24

R536,07



R536,12